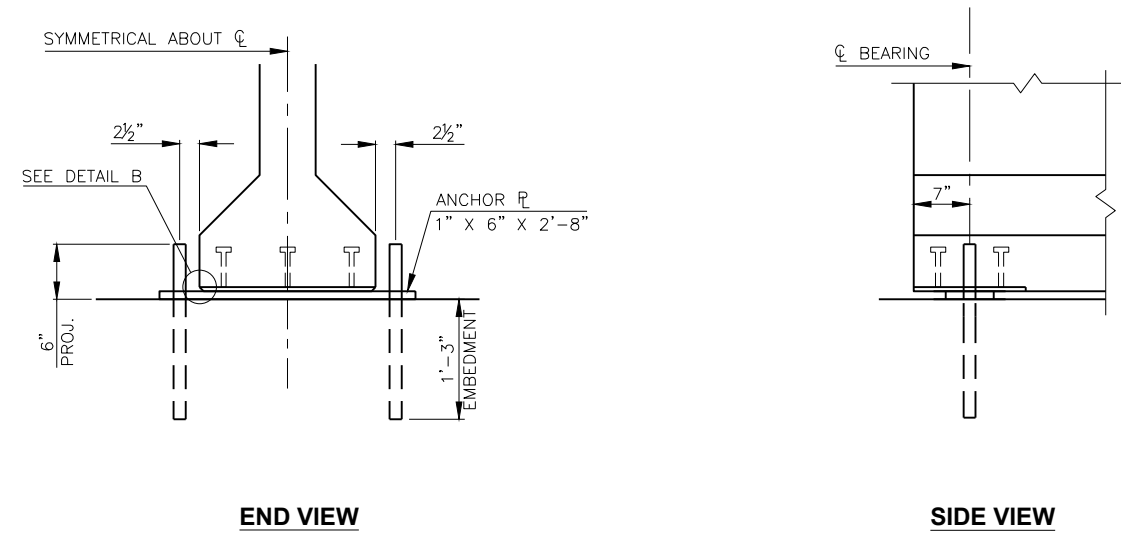
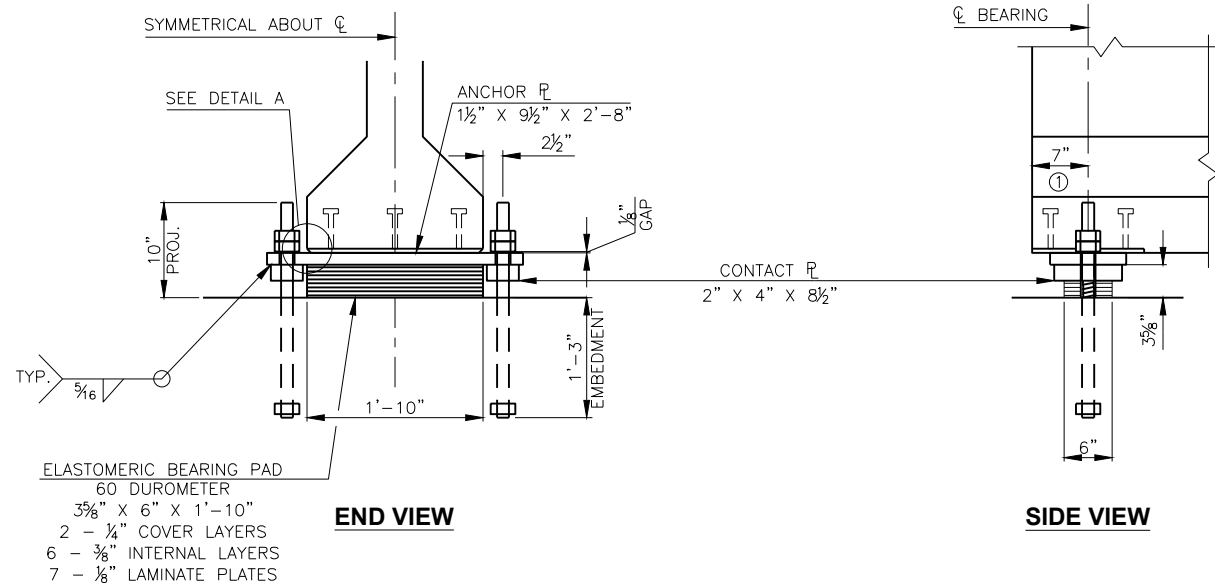
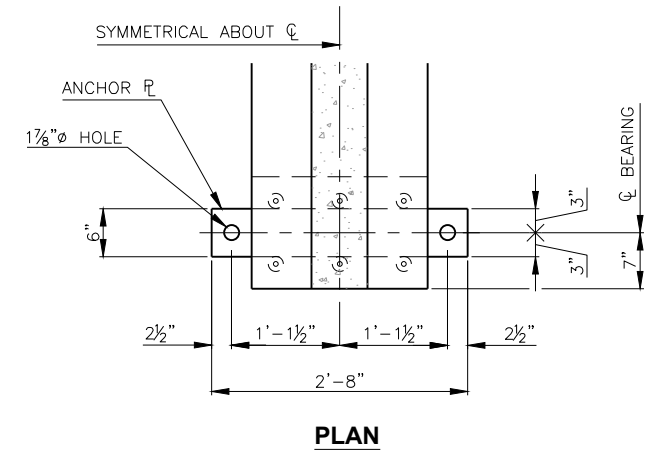


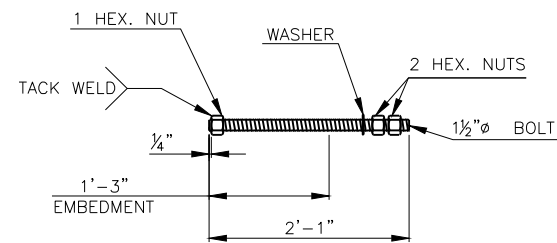
① CENTER ANCHOR BOLTS IN SLOTS DURING SETTING OF BEAMS. DIMENSION MAY VARY DEPENDING ON TEMPERATURE AT THE TIME OF BEAM SETTING.

DO NOT BOND BEARING PAD TO THE ANCHOR PLATE.

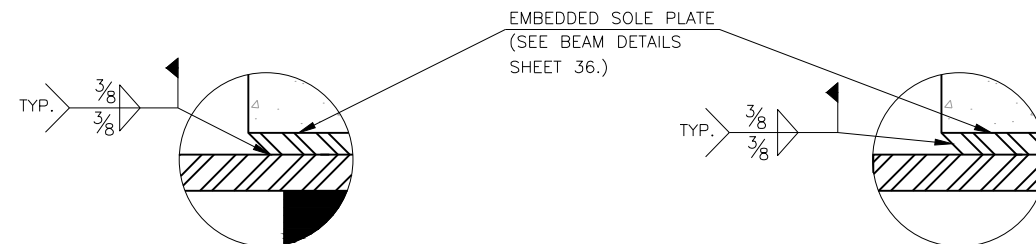


**PIER EXPANSION BEARING DETAIL**

**ABUTMENT FIXED BEARING DETAIL**

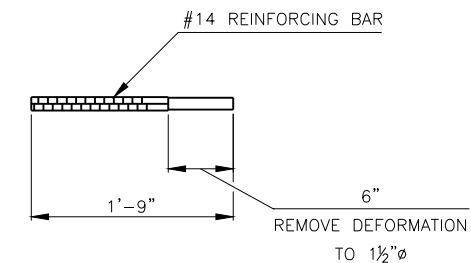


**PIER ANCHOR BOLT DETAIL**



**DETAIL A**

**DETAIL B**



**ABUTMENT ANCHOR BAR DETAIL**

DESIGN	J.W.H.	SH34 OVER S. PERSIMMON CREEK	WOODWARD COUNTY
DRAWN	Z.M.B.	BRIDGE A	
CHECKED	J.W.H.	<b>BEARING DETAILS</b>	
APPROV.	T.A.C.		
SQUAD	CEC		
		JOB PIECE NO. 28825(04)	SHEET NO. 37